

GXL-GH05-120 Glass Door Gravity Hinge

Features

- Stainless steel construction suitable for shower doors
- Glass hinge with self-closing features
- Door close automatically up to opening angle 170°
- Door stay open beyond 170°
- Door moves up max. 5 mm at opening angle 90° or max. 10 mm at 170°

Material

- Stainless steel 304, mirror finish

Notes

- Sold in pairs

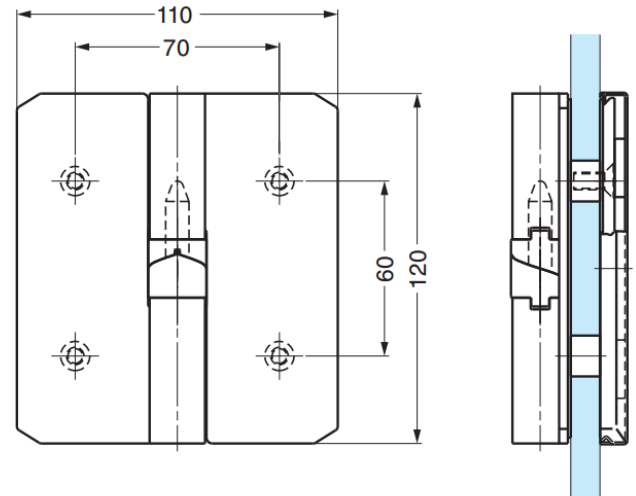
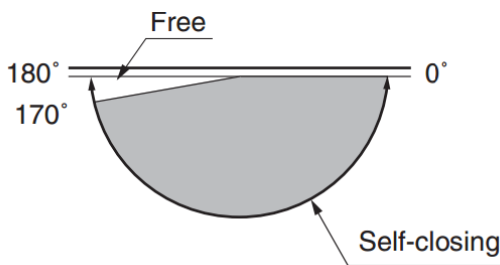
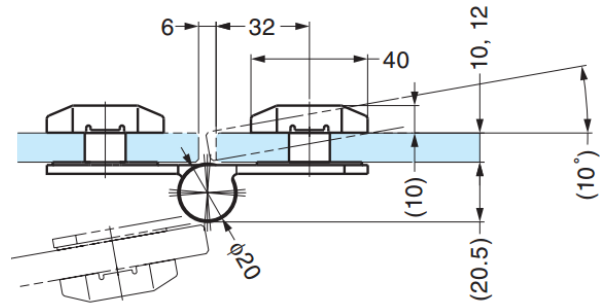
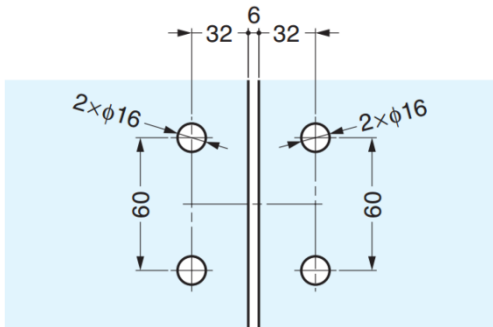
Parts Included

- Hexagon socket countersunk head screw M6×14 (SUS)

Back Side View



GXL-GH05-120R



Left-hand opening shown.

Part No.	Type	Door Width	Door Height	Glass Thickness	Door Weight
GXL-GH05-120R	Right	Max. 750	Max. 2000	10, 12	Max. 45 kg / pair
GXL-GH05-120L	Left				